

Rapid Decontamination Kit (RDK)



FG015-0010-00NA

AGENT TYPE: CWAs and TICs. Radiological Particles

DESIGNED FOR: Immediate Field Decontamination of Personnel, Gear & Equipment

DECON TYPE: Rapid, On-Scene, Emergency

SURFACE TYPES: Personal Gear, Equipment Surfaces, and Skin*

REQUIRED USERS: 1 User

SURFACE AREA: Up to 2 m² per kit (depending on contamination density)**



- Includes:**
 2 x FAST-ACT Decontamination Mitts
 3 x FAST-ACT Decontamination Wipes
 1 X Resealable Bag

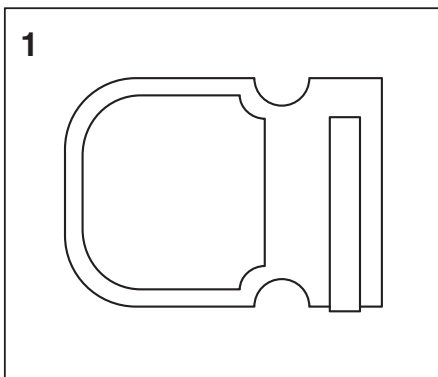


FAST-ACT Rapid Decontamination Kit (RDK):

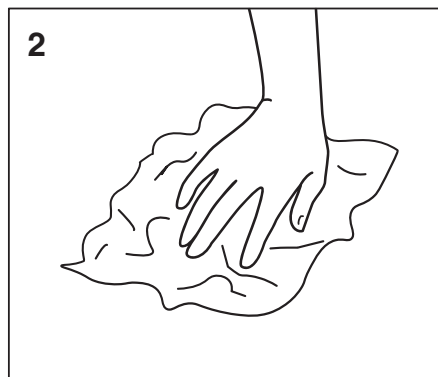
The Rapid Decon Kit (RDK) is designed for law enforcement, hazmat teams, and first responders to perform immediate decontamination during civil disorder, crowd control, or hazardous incidents. Compact and lightweight, the RDK enables fast neutralization of chemical threats on personnel, protective gear, and mission-critical equipment without mixing or additional equipment. Safe for sensitive equipment, weaponry, and electronics, the RDK gives responders a universal tool for field decontamination — compact, portable, and proven. When containment isn't enough, neutralization and removal are the only options.

NSN Mitt: 4235-01-612-0990 NSN Wipe: 6850017281730

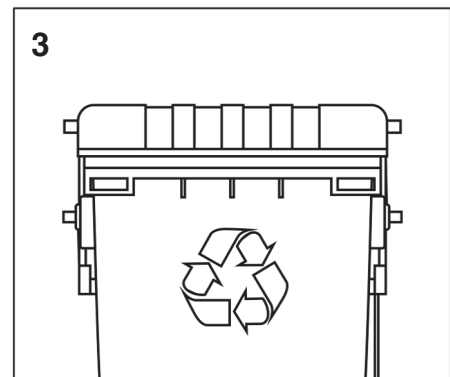
HOW-TO USE:



1 Utilize the FAST-ACT Decon Mitts to quickly neutralize surface contamination on skin* and equipment (coverage: 1 m² per Mitt).



2 Follow with the FAST-ACT Decontamination Wipes to remove any remaining trace contamination from the treated surfaces and/or skin and gear.



3 Seal used devices in provided poly waste bag and dispose of in accordance with local requirements.

* FAST-ACT Decon Mitts and Wipes are Class I medical devices for skin decontamination in Australia and the European Union.

** Designed for rapid response. Effectiveness varies with contamination density and chemical type.